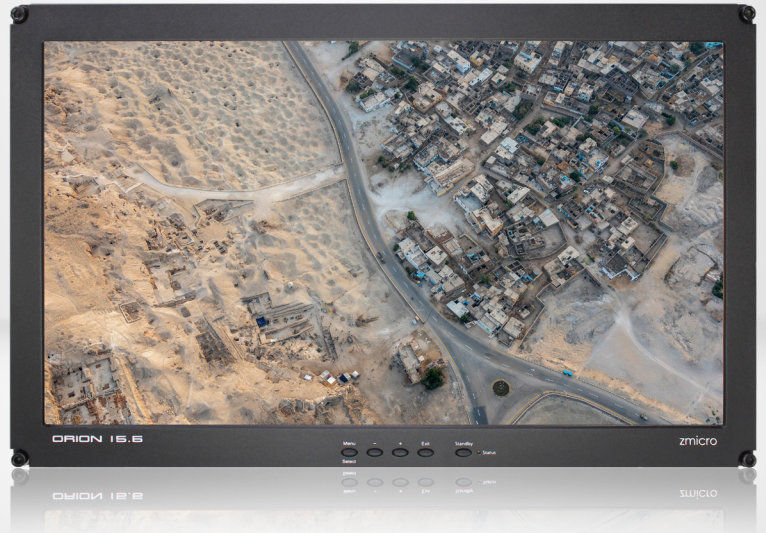


ORION 15.6

AIRBORNE DISPLAY

Rugged, Lightweight, MIL-SPEC,
LED Display featuring Real-Time
Enhanced Video



zmicro.com

High-Performance Display

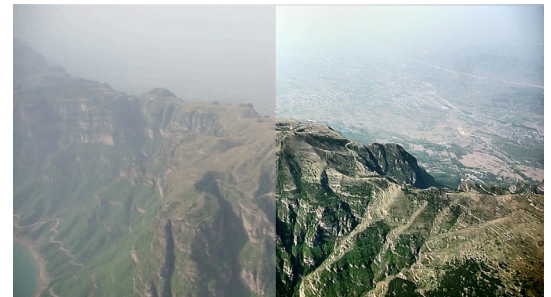
The Orion 15.6 brings 1080p resolution to a small compact, rugged display. With its lightweight chassis and low power consumption, the Orion 15.6 is optimal for SWaP sensitive requirements. An optical bonded glass LCD shield helps improve display clarity while providing rugged protection for the LCD.

Designed for Rugged Airborne Environments

The Orion 15.6 is built for sustained performance in airborne applications. The display is developed for MIL-SPEC environments with rugged design features that ensures safety in ball drop, abusive static load and crash worthiness testing. Advanced DO-160 design provides confidence for sustained performance in demanding airborne installations.

Advanced Video Processing

The Orion 15.6 incorporates ZMicro's WUXGA controller to support MIL-SPEC reliability and advanced video processing capabilities. The Orion 15.6 supports picture-in-picture and Real-Time Enhanced Video (RTEV) functionality. RTEV provides sophisticated video processing algorithms to provide increased visual awareness in visually degraded environments.



Instantly enhance image clarity in degraded visual environments with RTEV to see what you've been missing.

HIGHLIGHTS

- 15.6" low powered LED LCD
- 1920x1080 (1080p) resolution
- Lightweight machined aluminum chassis
- Optically bonded resistive touchscreen w/anti-glare and EMI
- Supports a single DVI-D video input
- USB interface for remote display control via API & touchscreen
- 18-36V DC power input w/MIL-DTL-5015 power connector
- Real-Time Enhanced Video (RTEV) option for improved visual clarity

Ideal for Airborne Environments

FOR MORE INFO

Contact us at sales@zmicro.com
or call 858.831.7000.

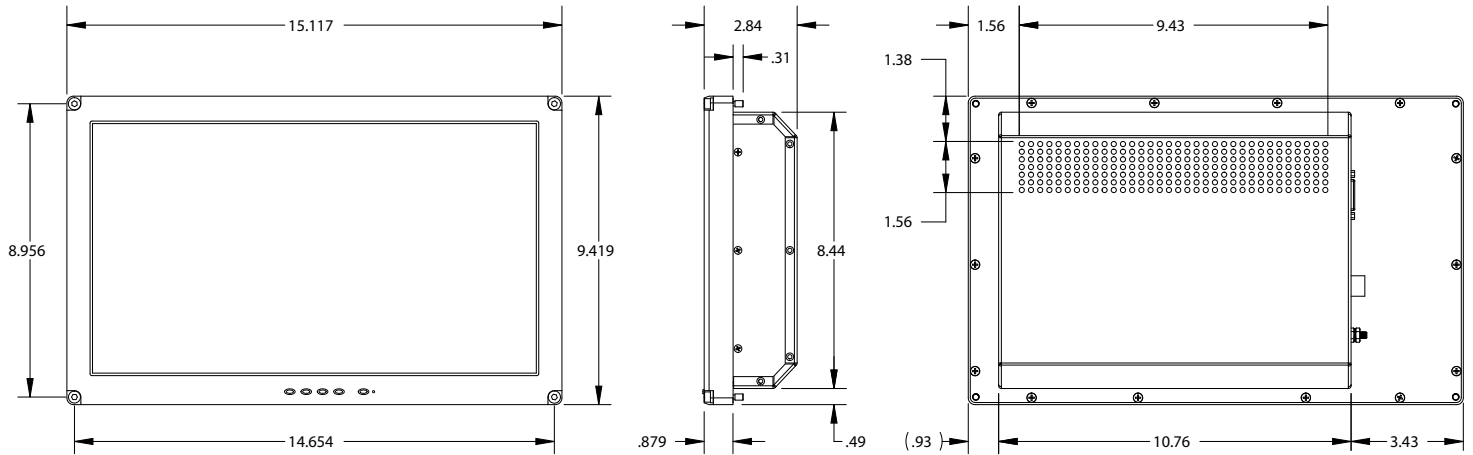
ORION 15.6

AIRBORNE DISPLAY

To see all of our display options, visit zmicro.com/displays.



MECHANICAL OUTLINE



TECHNICAL SPECIFICATIONS

SIZE & WEIGHT

Dimensions 9.42" H x 15.12" W x 2.84" D

POWER

Weight 8.5 lbs.
Power Supply 18-36V DC, 3A, 50W Max
Power Consumption 27.7 W

SPECIFICS

Panel Size 15.6" active viewing area
Native Resolution 1920 x 1080
Backlight LED
Brightness 400 nits. Optical coatings will degrade native panel brightness.
Viewing Angle Horizontal +/- 80°; Vertical +/- 70°
Contrast Ratio 700:1
Aspect Ratio 16:9
Color Palette 16.7 Million

ENVIRONMENTAL

Controls User accessible via Control Panel and API over USB
Panel Options Optically bonded with Resistive Touchscreen, EMI Mesh, and AG Shield
Scaling Modes No Scale, Fullscreen Scaled, SAR (Scaled w/Aspect Ratio Retained)
Connectors 1x DVI-D, 1x MIL-DTL-5015 DC power, 1 x USB Type-B
Mounting Console mount with captive screws

Operating Temperature -15° to 55° C
Storage Temperature -40° to +70° C
Humidity DO-160G, Section 6, Cat: A Up to 95% Non-condensing @50° C
Operating Altitude Up to 15,000 ft.
Non-operating Altitude Up to 40,000 ft.
Vibration DO-160G, Section 8, Cat: S Curve C
Shock & Crash Safety DO-160G, Section 7, Cat: B Aircraft Type: Fixed Wing Transport
EMI / EMC DO-160G, Section 21, Cat: L
Flammability DO-313, Section 3.9
Glass in Cabin - Ball Drop DO-313, Section 4.2
Glass in Cabin - Static Abuse Load DO-313, Section 4.2
Crashworthiness & Structural Integrity DO-313, Section 3.1.2

OTHER

MTBF Min. 50,000 hrs (backlight only)
MTTR < 30 mins.
ESD Safety DO-160G, Section 25 Cat: A 15 kV Air
Quality IPC/ISO 9001:2015 and applicable sections of the MIL-HDBK-454

ZMicro, Inc. is an ISO 9001:2015 certified company and compliant with AS 9100 requirements. Product information and technical data provided are typical of standard configurations of the described products. Measured results may vary slightly between units. This information is subject to change without notice. For more information, or the latest version of this product sheet, please visit our website @ www.zmicro.com