

TRANZSTOR 2Xe DOCKING BAY

EXTERNAL DUAL BAY DOCKING STATION FOR TRANZPAK 2 MODULES



Platform Independent Data Storage Dock

The TranzStor 2Xe is a dual bay docking station that can be connected to any computer via a standard USB communications cable. Designed to host two removable TranzPak 2 data storage modules, the TranzStor 2Xe delivers seamless integration of your digital media for transferring data from the deployed applications back to command. Whether at the office, in a lab environment, or in the field, the TranzStor 2Xe provides Mission-Ready™ storage solutions to store and transport all of your digital media from one computer to another without having to transition between technology types or rely on other network access requirements.

Secure your Digital Media

The TranzStor 2Xe docking bay allows you to seamlessly and securely transport all of your digital media from other computers and workstations that support TranzPak 2 storage modules. The TranzStor 2Xe allows the user to take the whole hard drive with them, safely and securely. Without the need to duplicate and reproduce data, the TranzStor 2Xe and other TranzStor and TranzPak storage solutions can help to reduce the risk of creating errors in detailed processes and makes transporting important information for intensive software applications easy and convenient.

HIGHLIGHTS

- Dual-bay external docking station
- Hosts up to two TranzPak 2 removable storage modules
- High-capacity storage options
- Plug-and-play "Hot-swap" compatibility
- Connects via USB to any computer or workstation
- USB 3.0 capable (S2 and S3 models)
- SATA 2.0 speeds up to 3.0 Gbit/s (S2 model)
- SATA 3.0 speeds up to 6.0 Gbit/s (S3 model)
- Offers complete high-end transportable data storage
- Deploy the same equipment used in the office or lab
- Transport, plug and run your most intensive software applications anywhere

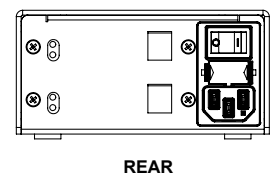
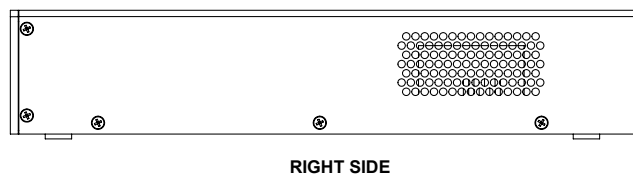
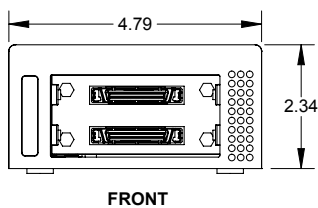
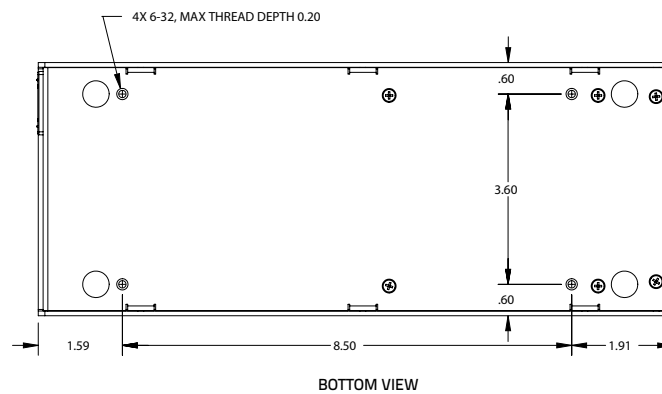
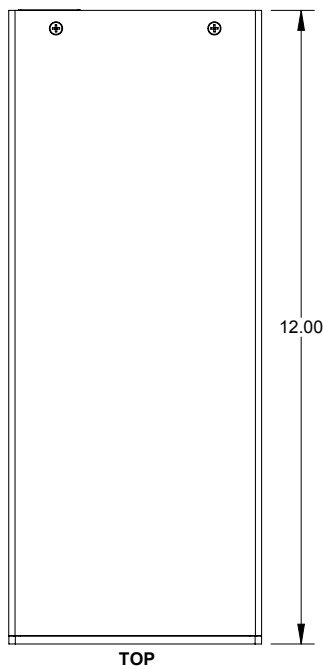
TRANZSTOR 2Xe DOCKING BAY

Technical Specifications

OVERVIEW	
Storage Capacity	High-capacity TranzPak2 removable storage modules
USB Speeds	Up to USB 3.0 speeds (speeds also dependent on the host computer)
SATA Speeds	Up to SATA 3 speeds, 6.0 Gbit/s (speeds also dependent on the host computer and TranzPak2 drive used in docking bay)
PHYSICAL	
Dimensions	2.34"H x 4.79"W x 12.00"D 59mm H x 122mm W x 305mm D
Weight	2.6 lbs. 1.2 kg
POWER	
Power Consumption	10W (15W on startup) (power consumption is drive dependent)
Input Voltage Range	90-264 VAC
Frequency Range	47-63 Hz
CONNECTORS	
Power Cable	C13 IEC 320 to NEMA 5-15P power connector
USB Communication	2 x USB Type B
OTHER	
Part Numbers	TP2-2Xe-S2, TP2-2Xe-S3

Mechanical Drawings

Mounting Locations



27-0071DS Rev B | July 2013

Z Microsystems, Inc. is an ISO 9001:2008 certified company and compliant with AS 9100 requirements.
 Product information provided are typical of standard configurations. Measured results may vary slightly between units.
 This information is subject to change without notice.
 For more information, or the latest version of this product sheet, please visit our website @ www.zmicro.com

Z Microsystems, Inc. · 9820 Summers Ridge Road, San Diego, CA 92121 · T: 858.831.7000 · F: 858.831.7001 · sales@zmicro.com

