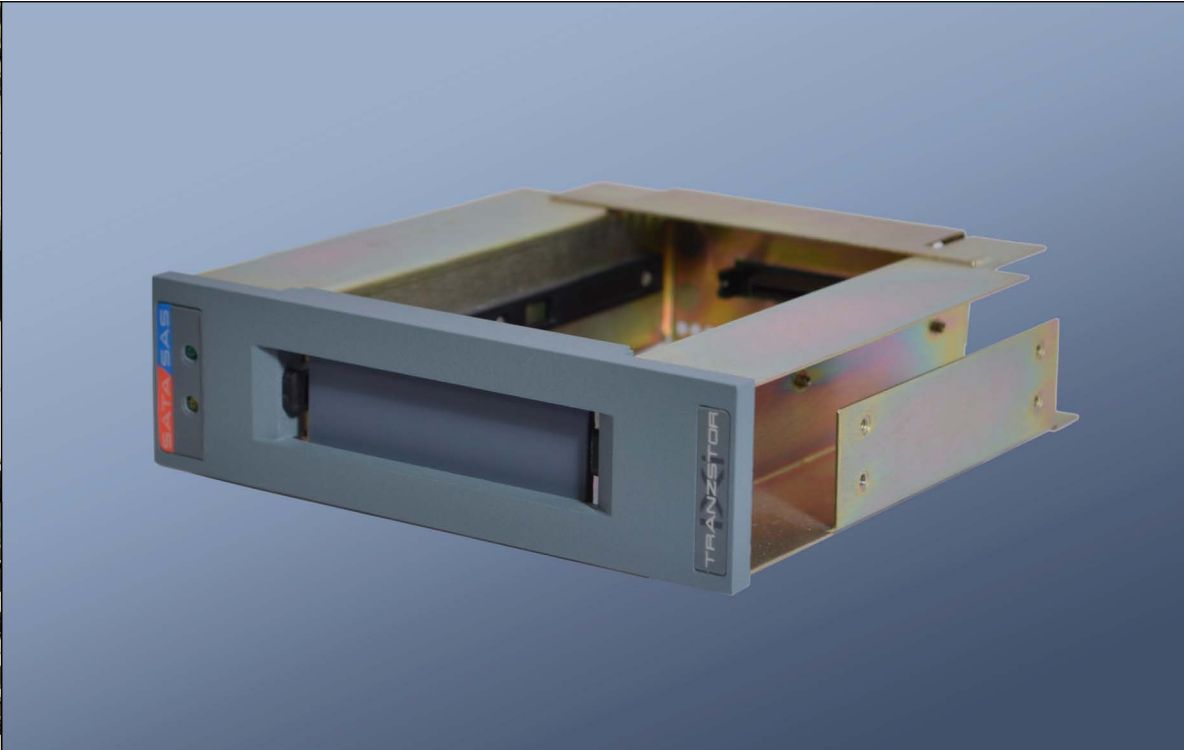


TRANZSTOR 1Xi DOCK

INTERNAL 5.25" SINGLE BAY DOCKING STATION FOR TRANZPAK 2 MODULES



Platform Independent Data Storage

The TranzStor 1Xi is a single bay docking station that can be installed into any computer and host a removable TranzPak 2 data storage module. The TranzStor 1Xi is designed to install into any standard 5.25" peripheral slot in a computer or workstation. If you are at home, the office, a lab environment, or in the field, the TranzStor 1Xi provides a Mission-Ready storage platform to store and transport all of your digital media from one computer to another.

Secure your Digital Media

The TranzStor 1Xi docking bay allows you to seamlessly and securely transport all of your digital media from other computers and workstations that support TranzPak 2 storage modules. The TranzStor 1Xi allows the user to take the whole hard drive with them, safely and securely. Without the need to duplicate and reproduce data, the TranzStor 1Xi can help to reduce the risk of creating errors in detailed processes and makes transporting important information for intensive software applications easy and convenient.

HIGHLIGHTS

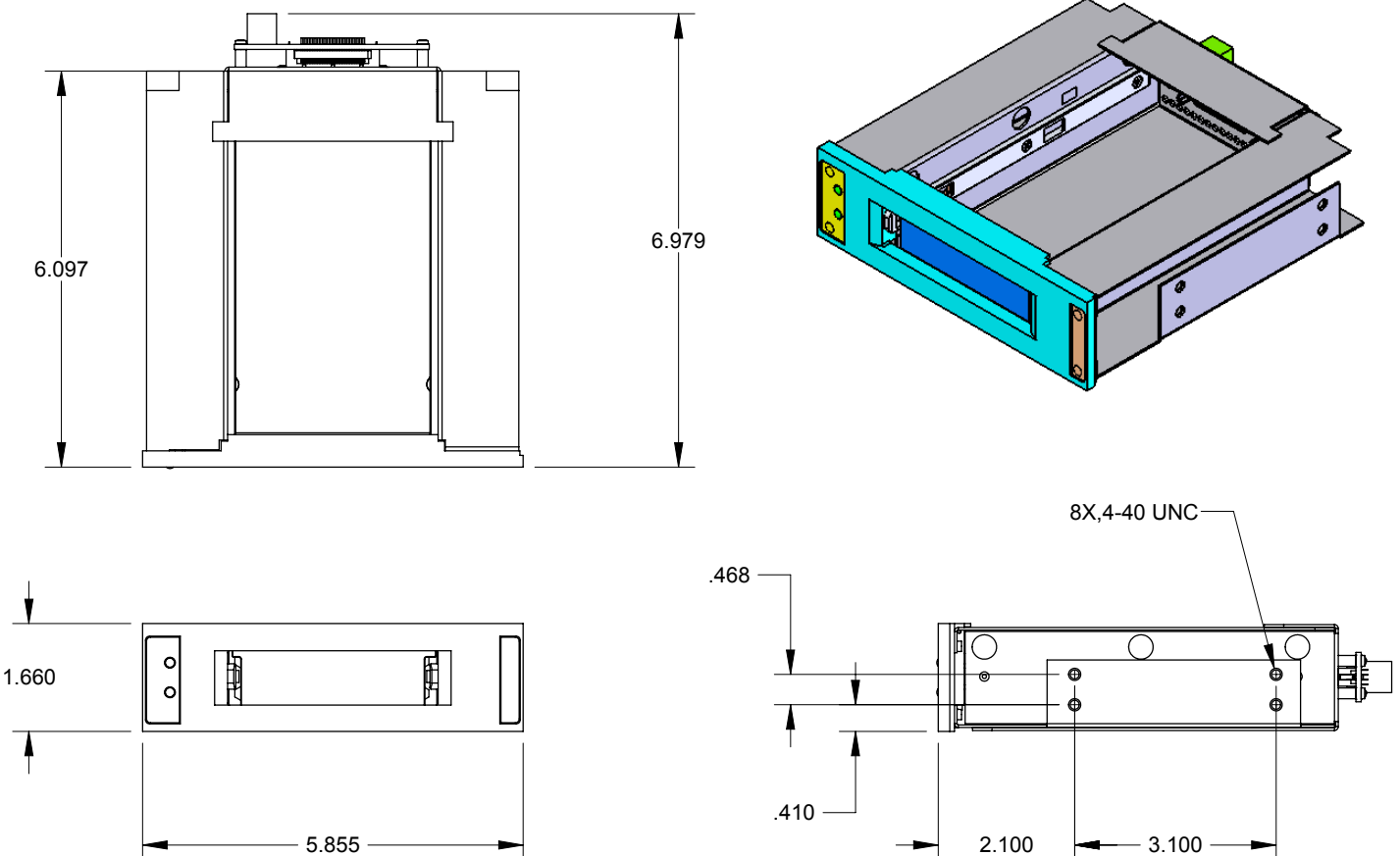
- Single Bay Docking Station
- Hosts a TranzPak 2 removable storage module
- Store up to 1 Terabyte of data
- Installs into any standard 5.25" peripheral slot
- SATA and SAS compatible
- SATA/SAS speeds up to 6 Gbit/s
- Plug and play and "hot-swap" compatibility
- Offers complete high-end transportable data storage
- Deploy the same equipment used in the office or lab
- Transport, plug and run your most intensive software applications anywhere

TRANZSTOR 1Xi DOCK

Technical Specifications

OVERVIEW	
Max Storage Capacity	Up to 1 Terabyte (HDD), 800GB (SSD)
SATA/SAS Speeds	Up to 6.0 Gbit/s (speeds are dependent on the host computer and TranzPak2 drive used in docking bay)
PHYSICAL	
Dimensions	1.68"H x 5.85"W x 6.98"D 43mm H x 149mm W x 177mm D
Weight	~ 1 lb. .45kg
POWER	
Power Consumption	2-15W (drive dependent)
CONNECTORS	
Power Cable	Molex 4-pin locking to mini-Molex 4-pin locking
Communication	SATA/SAS 7-pin locking data connector
OTHER	
Part Numbers	TP2-1Xi-SX

Mechanical Drawings



27-0070DS Rev B | July 2013

Z Microsystems, Inc. is an ISO 9001:2008 certified company and compliant with AS 9100 requirements. Product information and technical data provided are typical of standard configurations. Measured results may vary slightly. This information is subject to change without notice. For more information, or the latest version of this product sheet, please visit our website @ www.zmicro.com

Z Microsystems, Inc. · 9820 Summers Ridge Road, San Diego, CA 92121 · T: 858.831.7000 · F: 858.831.7001 · sales@zmicro.com

