

# ORION 21 UDP

ULTRA-RUGGED MIL-TAILORED UNIVERSAL DISPLAY PLATFORM



## Ultra-Rugged Next-Gen Display Platform

Z Microsystems's Orion 21 UDP is a 1600 x 1200 resolution (UXGA) flat panel display engineered for high-performance in extreme environments. The third generation of Orion displays incorporates the robust design of the veteran Orion "battle-shell" with today's industry-leading electronics. The Orion 21 UDP offers advanced customization and capabilities for improved viewing and delivers efficiency-boosting display performance in a tough low-profile footprint.

## Advanced Customization and Control

The Orion 21 UDP is equipped with Z Microsystems's high-performance video controller that supports a wide variety of viewing options including: Picture-In-Picture (PIP), Dual-View, Quad-View, and more. It also offers the capability of hosting Real Time Enhanced Video (RTEV), a powerful algorithm enhancement tool that delivers optimal video quality and control without adding latency to incoming video streams.

## MIL-Tailored Displays with Options

Since 1986, Z Microsystems has delivered MIL-tailored solutions to the military and DOD. The Orion 21 UDP is no exception to this, offering ruggedized features to meet MIL-STD-810G resilience to shock & vibe, MIL-STD-461F EMI protection, optional MIL-DTL locking connectors, and extended operating temperatures. The Orion UDP family also features an optional Anti-Reflective shield, durable touch panel options, and wide viewing angles for a next-generation operating experience.

## HIGHLIGHTS

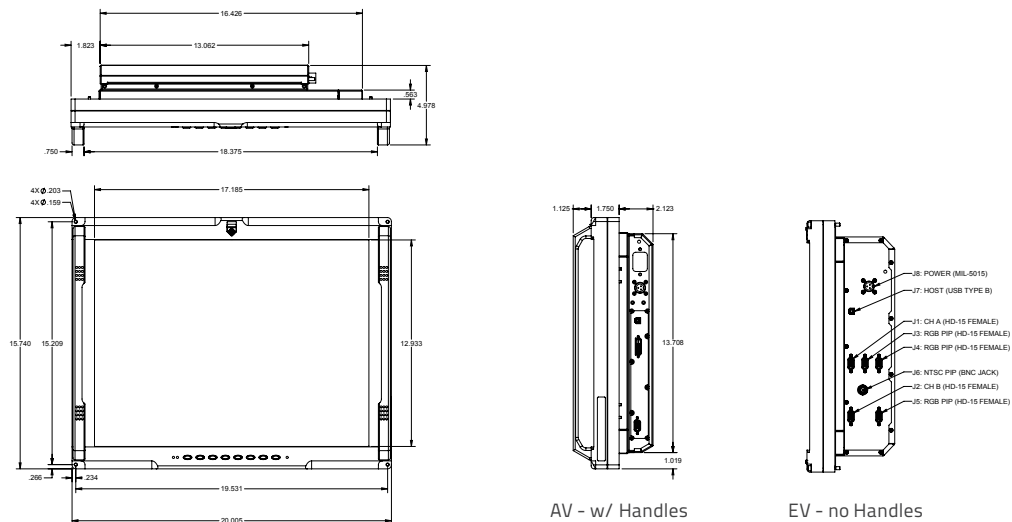
- 21.3" ultra-rugged display platform
- 1600 x 1200 (UXGA) native resolution
- CCFL Backlight: brightness of 250 cd/m<sup>2</sup>
- Supports Picture-In-Picture (PIP), Dual-View, Quad-View, User-friendly on-screen software GUI & more
- Ultra-rugged machined aluminum "battle-shell"
- Durable transportation handles
- Convenient front panel user control buttons
- Embedded Real-Time Enhanced Video (RTEV)
- Digital and analog video signal support
- Custom mounting options, RETMA rack compatible
- Resistive touch panel support
- Options: optically bonded AR shield, Micromesh

# ORION 21 UDP

## Technical Specifications

Panel Size	21.3" active display area
Native Resolution	1600 x 1200 (UXGA) (Scaled support up to 1920 x 1200)
Backlight	CCFL
Dimensions (AV - no PIPs)	15.74 x 20.00 x 4.98 inch   400 x 508 x 127 mm
Weight (AV - no PIPs)	24 lbs.   10.9 kg
Dimensions (EV - w/ PIPs)	15.74 x 20.00 x 5.44 inch   400 x 508 x 138 mm
Weights (EV - w/ PIPs)	26 lbs.   11.8 kg
Brightness	250 cd/m <sup>2</sup>
Color Palette	16.7 Million
Viewing Angle	Full +/- 85°
Controls (customizable)	INPUT, MENU/SELECT, UP, DOWN, LEFT, RIGHT, EXIT, STANDBY, and USB Communications (Custom menu options available)
Display Options	Resistive touch panel (will reduce brightness up to 20%) AR shield, AG shield, or MicroMesh (MicroMesh will reduce brightness up to 5%) Embedded Real Time Enhanced Video (RTEV) Picture in Picture Support: AV - Up to 1   EV - Up to 4
Scaling Modes	No Scale, Fullscreen Scaled, SAR (Scaled w/ Aspect Ratio retained)
Connections (options)	DVI-I, HD-15, BNC, MIL-DTL-5015, C14 IEC 320 socket, USB Type-B
Mounting	Custom mounting pattern, 19" RETMA rack (with adapter plate)
AC Power Supply	100-240V AC, 2.0A input @ 50/60 Hz
DC Power Supply	18-36VDC, 8.5A inrush (EN 60601-1 Medical Certified Supply)
Power Consumption	101-170 W (depending on # of PIPs)
Operational Temperature	0° to 50° C
Storage Temperature	-40° to +70° C
Humidity*	Up to 5% to 95% Non-condensing @ 40° C for 48 hours
Operating Altitude	Up to 15,000 ft.
Non-operating Altitude	Up to 40,000 ft.
Vibration	MIL-STD-167, Shipboard Limits
Shock	MIL-STD-810G, 30g's
Fungus	Non-nutrients/contaminants
EMI / EMC	MIL-STD-461F, CE102, CS101, CS114, RS103, RE102
MTTR	< 30 mins.
Quality	IPC/ISO 9001:2008 and applicable sections of the MIL-HDBK-454
Part Numbers	UDP21TR-U2DDMC-XXX, UDP21AR-U2MC-XXX, UDP21EM-U2MC-XXX

\*Test Results Pending or Qualified by Similarity



27-0062DS Rev D | July 2013

Z Microsystems, Inc. is an ISO 9001:2008 certified company and compliant with AS 9100 requirements. Product information and technical data provided are typical of standard configurations of the described products. Measured results may vary slightly between units. This information is subject to change without notice. For more information, or the latest version of this product sheet, please visit our website @ [www.zmicro.com](http://www.zmicro.com)

Z Microsystems, Inc. · 9820 Summers Ridge Road, San Diego, CA 92121 · T: 858.831.7000 · F: 858.831.7001 · [sales@zmicro.com](mailto:sales@zmicro.com)

