



ORION 21 UDP HIGH-PERFORMANCE UNIVERSAL DISPLAY PLATFORM

The ultra-rugged Orion 21 UDP introduces a breakthrough platform for deployed visualization systems. With an ultra-high performance modular video processor, the Orion 21 UDP can display up to eight video Picture-in-Picture (PIP) display inputs. This new technology allows multiple video images to be displayed concurrently.

With 1600 x 1200 pixel resolution, and both NTSC and RGB inputs, the Orion 21 UDP opens a new paradigm in visual information. Intelligent "SoftMenu" functions allow each PIP window to be moved, resized and turned on and off from the host computer. These convenient features enable multiple users to remotely configure, save and recall custom settings, colors and viewing preferences depending on conditions or application-specific requirements.

Highlights

- 21.3" active display area
- Active matrix color
- High resolution 1600 x 1200
- Up to 8 Picture in Picture
- Rugged lightweight packaging
- Tough protective lens
- Ergonomic handles
- Field upgradeable

The Orion 21 UDP allows the operator the ability to view and interact with multiple video and computer sources at once. All PIPs can be scaled, stacked or overlapped just by selecting the frame; providing solutions for the most challenging of viewing scenarios.

The Orion 21 UDP is a modular system in that it separates the LCD from the electronics and power supply to endure the most stringent EMI and environmental demands.

Manufactured from lightweight, aircraft grade, CNC machined aluminum and finished with a baked powder coating, the Orion 21 is tough, lightweight and offers the most advanced picture quality and customization.

- Integrates with any work station, PC or X Terminal
- Up to 160 degree viewing angle
- SoftMenu features
- Applications include:
Shipboard, Airborne, Field Deployments
- Compatibility:
Sun, SGI, DEC, IBM, PC, Mac

SPECIFICATIONS

Orion 21 Display

LCD Panel

Size:	21.3"
Native Pixels:	1600 x 1200
Color Palette:	16.7 million
Viewing Angle:	Full +/-80°
Controls:	Operator Control Panel or GUI SoftMenus
Options:	AV - Picture in Picture - Up to 1 EV - Picture in Picture - Up to 4

Power

Power Consumption:	170 W (depending on # of PiPs)
Power Supply:	100-240 VAC, 2.0A input @ 50-60Hz, 400Hz

Cabling

Display:	Standard VGA 15-pin 6' cable (order separately)
Options:	BNC, DVI and MIL-circular (call factory to discuss requirements)
Power Cable:	6' cable, MIL-5015 Circular Connector Standard (IEC Connector Optional)
RS232 Serial Cable:	6' 9-pin DSUB provided (pins 2, 3, 5, straight through) 10' cable, DB9

Physical

Size:	AV - 15.74"H x 20.0"W x 4.978"D EV - 15.74"H x 20.0"W x 6.62"D
Weight:	AV - 22.75 lbs with no PiPs EV - 30.10 lbs with 4 PiPs

Environmental**

Operating Temp:	***0° to + 50° Celsius
Non-op Temp:	-40° to + 70° Celsius
Humidity:	5% to 95% Non condensing (Design Goal)
Non-op. Humidity:	5% to 95% Non condensing (Design Goal)
Non-op Altitude:	Up to 40,000 ft.
Descompression:	D0-160E, 8,000 ft to 40, 000 ft in 15 seconds
Operating Altitude:	Up to 25,000 ft.
Vibration:	MIL-STD-167
Shock:	MIL- STD 810F, 30g's
Fungus:	Non Nutrients/contaminants

Reliability

MTBF:	50,000 Hrs Ground fixed environmental IAW MIL-HDBK-217F calculation technique
Maintainability:	<30 minutes

Regulatory

Safety:	UL 60950 (used as design guideline)
*EMC/RFI:	MIL-STD-461E, RE101 Army Limits, RE102 (Navy Fixed), RS101, RS103 (20v/m 2MHz and 60v/m 1GHz-18GHz), CE101CS114, CS115, CS116

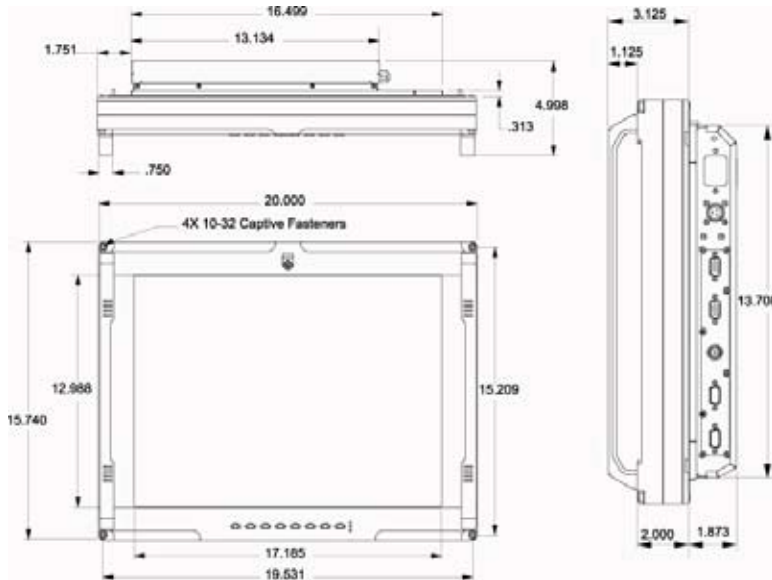
Quality/Workmanship

IPC / ISO 9001:2000 and applicable section of MIL-HDBK-454

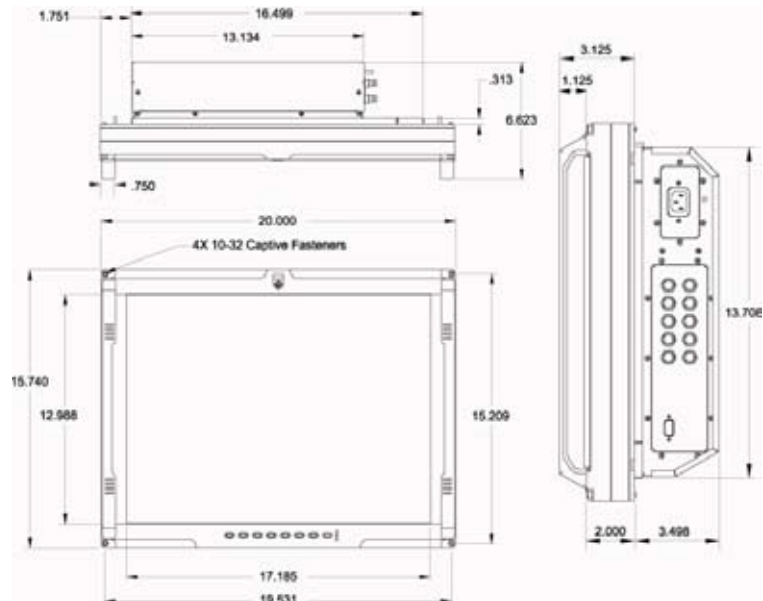
* For improved EMI performance (consult factory for ARO)

**Environmental test data available upon request. If environment is noted as Design Goal, testing has not been performed.

*** Unit will power up and is legible at -20°C; backlight life is reduced



Mechanical Outline for Orion 21 UDP AV Series



Mechanical Outline for Orion 21 UDP EV Series

