



ORION 20 UDP HIGH-PERFORMANCE UNIVERSAL DISPLAY PLATFORM

The Orion 20 Universal Display Platform (UDP) from Z Microsystems is the most technically advanced ruggedized display in the industry. Utilizing Z Microsystems' next generation controller, the Orion 20 UDP provides optimal flexibility in meeting customers' unique display and performance requirements.

The Orion 20 UDP supports various video input formats, including digital video signals, analog signals, NTSC/PAL formats, and HD-SDI. The Orion UDP's flexible architecture enables users to select specific video inputs to configure a customized system for their particular applications. Additionally, its architecture gives the operator the ability to view and interact with multiple video and computer sources simultaneously. All PiPs can be scaled, stacked or overlapped just by selecting the frame, providing efficient solutions for even the most challenging viewing scenarios.

Z Microsystems' rugged Orion UDP series is specifically designed and manufactured for the most rugged and robust display environments. Manufactured from lightweight, aircraft grade, CNC machined aluminum and finished with a baked powder coating, the Orion 20 is tough, lightweight and offers the most advanced picture quality and customization available on the market.

- 20.1" active display area
- Active matrix color
- Native 1600x1200 resolution with 1920x1200 scaled support
- Versatile video input support: analog, digital, NTSC/PAL, HD-SDI
- Multiple Picture-in-Picture options
- Rugged lightweight packaging
- Ergonomic handles
- Optically bonded AR shield or resistive touchscreen
- AC Power with Mil-round connector
- 160 degree viewing angle
- Real-Time Enhanced Video Options
- Hi-bright, sunlight readable option
- Robust specifications for Military environments



Specifications

LCD Panel

Size	20.1"
Native Pixels	1600 x 1200
Color Paletter	16.7 Million
Viewing Angle	Full +/-80°
Controls	Operator Control Panel or GUI SoftMenus
Options	TouchScreen (SAW) Wire Mesh*
	AV - Picture in Picture - Up to 1
	EV - Picture in Picture - Up to 4

Power

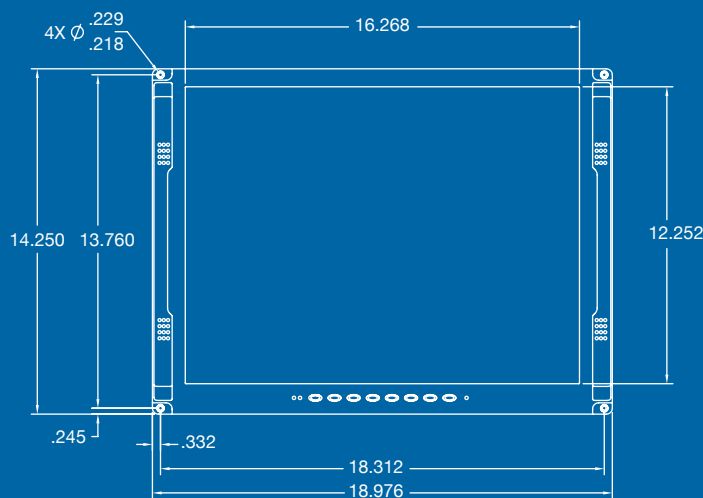
Power Consumption	170 W (depending on # of PiPs)
Power Supply	100-240 VAC, 2.0A input @ 50-60Hz, 400Hz

Cabling

Display	Standard VGA 15-pin 6' cable (order separately)
Options	BNC, DVI and MIL-circular (call factory to discuss requirements)
Power Cable	6' cable, MIL-5015 Circular Connector Standard (IEC Connector Optional)
RS232 Serial Code	6' 9-pin DSUB provided (pins 2, 3, 5, straight through) 10' cable, DB9

Physical

Size	AV - 15.74"H x 20.0"W x 4.978"D EV - 15.74"H x 20.0"W x 6.62"D
Weight	AV - 22.75 lbs with no PiPs EV - 30.10 lbs with 4 PiPs



Environmental

Operating Temp	0°C to +50°C
Extended Op Temp**	-20°C to +50°C
Non-Op Temp	-40°C to +70°C
Humidity	5% to 95% Non condensing (Design Goal)
Non-Op Altitude	Up to 40,000 ft.
Operating Altitude	Up to 15,000 ft.
Vibration	MIL-STD-167
Shock	MIL-STD 810F, 30g's
Fungus	Non-Nutrients/Contaminants

Reliability

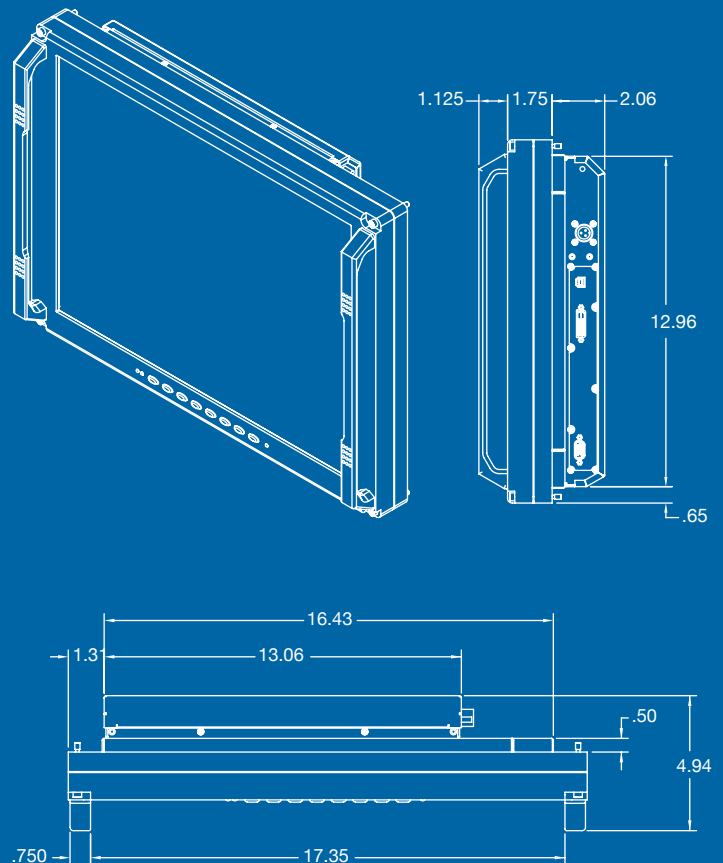
MTBF	50,000 hrs, Backlight and LCD only
Maintainability	<30 Minutes

Regulatory

Safety	UL1950 MIL-STD-461E, RE101 Army Limits, RE102,
EMC/RFI	RS101, RS103 (20v/m 2MHz and 60v/m 1GHz-18GHz), CE101, CS114, CS115, CS116

Quality/Workmanship

IPC / ISO 9001:2000 and applicable section of MIL-HDBK-454



Product protected by one or more of the following patents: include list tbd

* Subject to change without notice